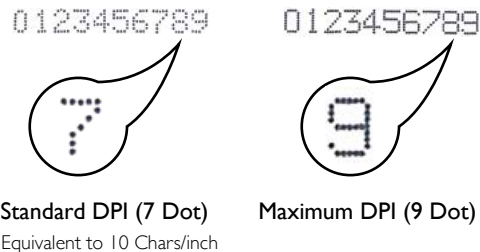




PRINTING SPECIFICATION			
Non contact printing technology		✓	
		Std DPI	Max DPI
SPEED (m/s)*	1 Line – 5 dot characters (fastest)	5.1	3.8
	2 Lines – 7 dot characters	1.3	0.9
	2 Lines - 9 dot characters (Highest Quality Text)	1.0	0.7
	1 Line - 24 dot characters (Best for 2D Coding)	0.5	0.4
SIZE	Max lines of print	5	
	Print height* (dots)	upto 32 dots	
	Print height* (mm)	upto 20mm	
	Printed dot size^	0.31mm (60µm) 0.40mm (75µm)	
CODE FORMATS	Text	full unicode support	
	Graphics	Imported *.bmp Built in logo editor	
	1-D Barcode	EAN 8, 13, UPC A, E Code 39, 93, 128, 2 of 5, ITF-14, GSI-128	
	2-D Barcodes	Datamatrix, QR Code, Dot Code, Han Xin, Postnet	

OWNERSHIP SPECIFICATION		
OPERATING	User interface	10.4" colour touchscreen (Option) 7" colour touchscreen (Option)
	Software	QuickStep 3
	Operator friendly	✓
CONSUMABLES	Single button start and stop	✓
	Automatic cartridge recognition	✓
	Intelligent Level Monitoring	✓
SERVICING	Cartridge runtime**	267 hours
	Cartridge replacement	20 second operator task No line stop required
	Service model	Service free ITM system
ENVIRONMENT	ITM replacement frequency†	12 months
	ITM replacement	Sub 10 minute operator task Line stop required
	Operating temperature‡	5-45°C
ENVIRONMENT	Humidity	0-90% RH
	Ingress protection (cabinet)	IP66 electronics enclosure (IP55 cabinet)
	Harsh environment options	IP65 Printhead cover (for Washdown) Positive air to head (for high dust) Dry air to head (for high humidity)

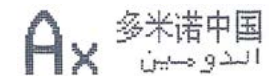
### Understanding CIJ DPI



### Logos and 2D Codes



### Multi Language and Mixed Fonts



\* Speed quoted with Professional printing pack.

\*\* Runtime based on make-up cartridge replacement frequency for MEK Dye based system at 21°C with Green Pack option

^ Dot size may vary depending on substrate type

† Subject to ink choice

# Ax550i

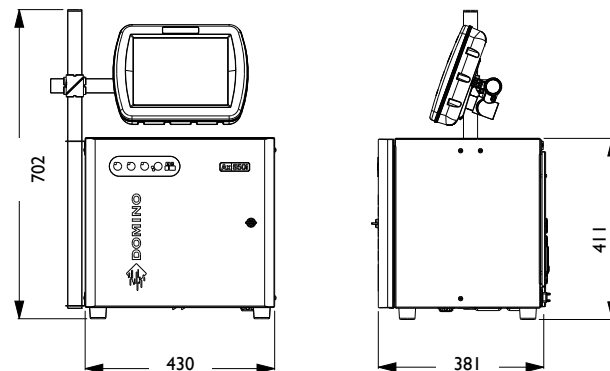
## Technical Specification



### TECHNICAL SPECIFICATION

SYSTEM SPECIFICATION		
PRINTHEAD	Type	i-Pulse
	Nozzle sealing technology	✓
	Nozzle size	60µm      75µm
	Maximum resolution (dpi)	82            64
	Format	Straight      Straight
	Conduit length	3m – Std      3m – Std 6m – Option    6m – Option
	Conduit bend radius (minimum)	65mm
CABINET	Material	316 stainless steel
	Size (WxHxD)	430 x 411 x 381 (mm) 16.9 x 16.2 x 15.0 (inch)
	Weight (dry)	22kg
	Power requirement	100-240v:4A 50-60Hz
	Power consumption	40 Watt (idle) 80 Watt (printing)
	Product detect input port (x1)	✓
	Shaft encoder input port (x1)	✓
	USB ports on UI (x2)	✓
	RFID	13.56 MHz 1.3uW ERP
INK	Ink cartridge volume	825ml 555ml (HD ink system)
	Make-up cartridge volume	1200ml
CONNECTIVITY	Domino protocols	Intercomm 5, Codenet, Intercomm 0
	PC software suite	QuickDesign V5 & V6 compatible
	Webserver	✓
	Domino Cloud compatible*	✓

### CABINET DIMENSIONS

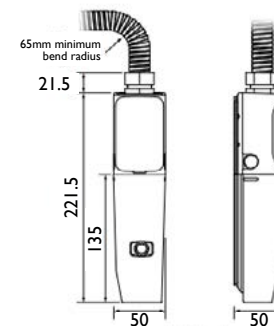


OPTIONS		
HARDWARE PACK	Status pack option	4 stage âacon output (x1) 4 stage alarm output (x1)
	Comms pack option	Cabinet USB port (x1) Ethernet RJ45 port (x1)
	Extended comms pack option	Cabinet USB port (x1)
		Control port (x1)
		TouchPanel 2/ethernet port (x1)
	RS232 pack option	RS232 port (x1)
GPIO pack option	I/O – 4 inputs/4 outputs (x1)	
Extended I/O pack option	I/O - 12 inputs/4outputs (x1)	
PERFORMANCE PACK	Professional printing pack	High speed rasters (ST&HS types) Segmented message formats Highest speed DDI Script engine
	Operator assistance pack	Label templates Barcode scanning for labels and data entry Local security manager
	Green Pack	20% reduction in make-up emissions. Configurable Printhead and ink-system stand down for reduced power usage

### COMPLIANCE

Domino printers are compliant and sold in more than 100 countries globally.  
Certifications : CE, NRTL, CB and FCC 47CFR Part 15B.

### PRINTHEAD DIMENSIONS



[www.ax-series.com](http://www.ax-series.com)

\* Requires Comms Pack

The Domino word mark and device are registered trademarks of Domino Printing Sciences plc